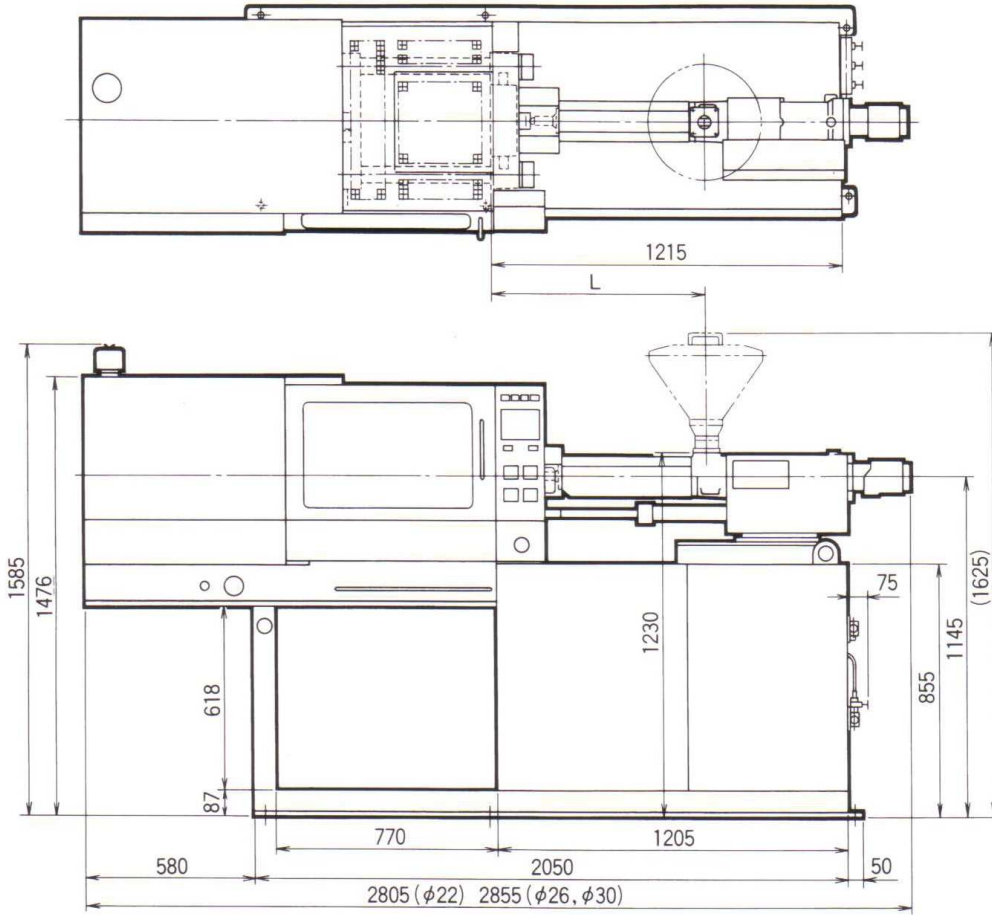


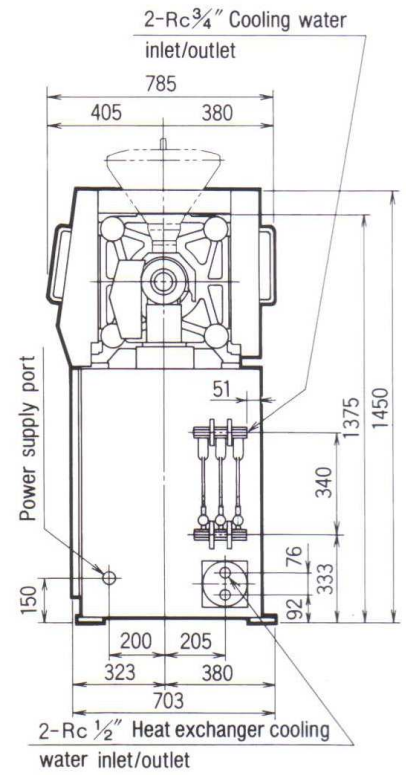
EXTERNAL VIEW

NS40-5A

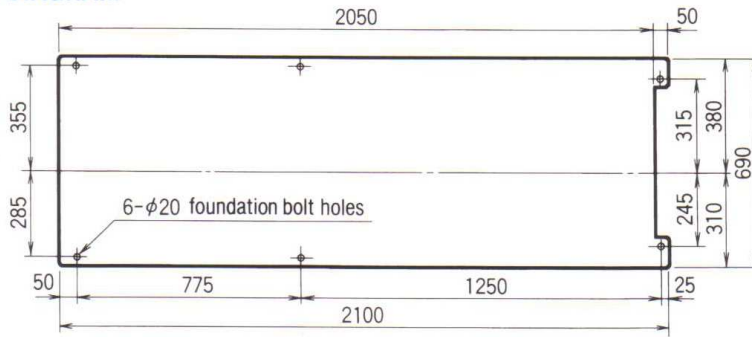


L Size

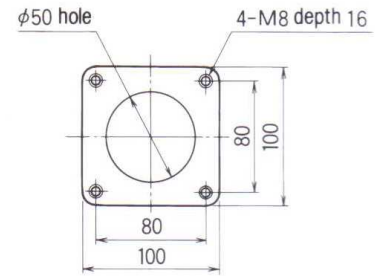
Screw	L
φ22	513~688
φ26 · φ30	563~738



FOUNDATION DIAGRAM



HOPPER FIXATION DIAGRAM



MOLD ATTACHMENT DIAGRAM

